



EPT20-20W Ai

Electric Pallet Truck 2.0t

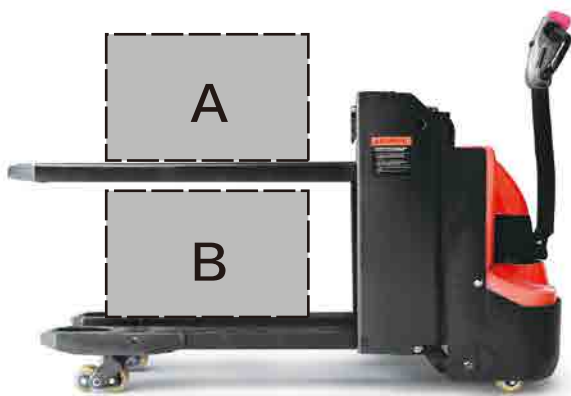
Carrying Two Pallets at A Time Doubles Working Efficiency;
Extraordinary Traction in Crossing Door and Dock;
Long-tiller Design Makes Operations Easy and Convenient.

EP EQUIPMENT CO.,LTD
www.ep-ep.com

FEATURE

Performance

- The innovative AC system offers strong power, accurate control, excellent performance.
- High strength vertical gearbox, longer working life.
- Low-noise but durable hydraulic unit, good quality cylinder as well as hose ensure the high reliability of hydraulic system.
- AMP connector and durable electric wires greatly reduce malfunctions of components.
- H shape channel mast improves the strength of the whole truck.



EPT20-20WAI



ES12-12WAI

Safety

- Safe hydraulic system design prevents mast from falling down abruptly when hydraulic pipeline cuts off.
- Emergency reverse belly button protects the operator from getting hurt.
- Emergency disconnecter will cut off power source to avoid accident when truck goes out of control.
- Multiple lifting limit protection ensures safety.
- Automatic switch to lower speed when the fork reaches its setting height.
- Anti-rolling back brake keeps the truck from skidding down when truck is out of control or travelling on ramp.

Operation

- With the new design of ergonomical tiller head, all buttons can be reached conveniently & comfortably.
- Dual pallets lifting doubles working efficiency.
- Creep speed function: when handle in near vertical position, the driving speed will decrease automatically, allowing delicate operation in confined space.
- Long tiller decreases the operation force greatly and makes operations much easier.
- Bias Operation, Greater View.

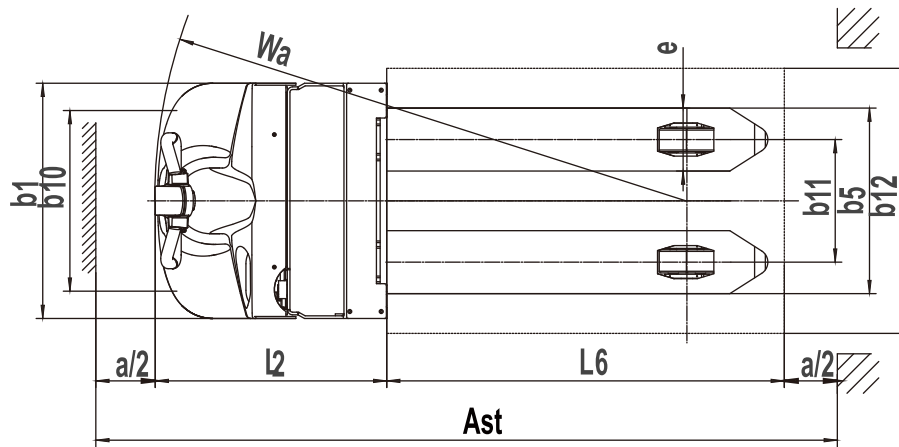
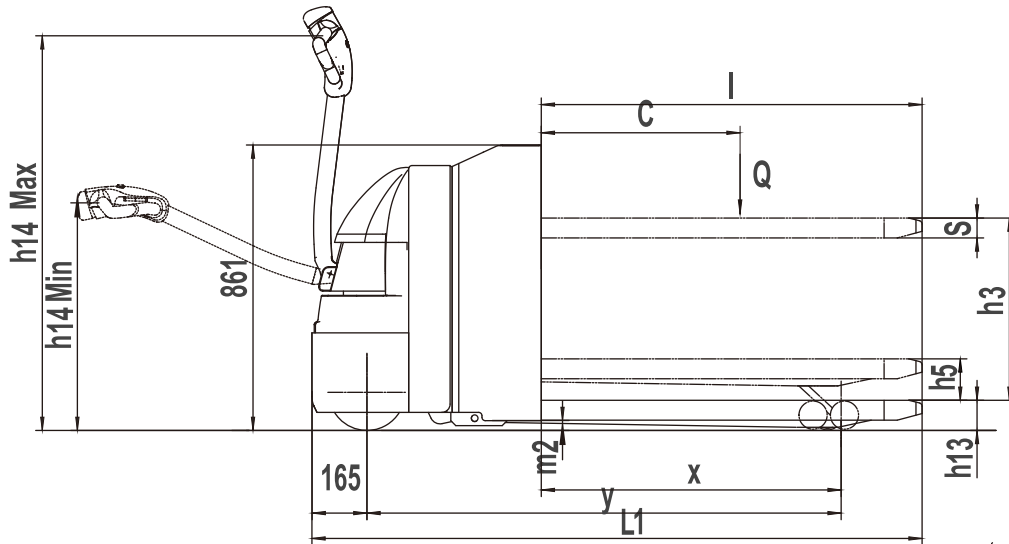
Maintenance

- AC traction motor, maintenance free.
- Hour meter and battery indicator remind the operator of battery charging.
- Easily remove the back cover by only losing two bolts; Access to all key components for inspection, maintenance and replacement.
- Easy access for battery maintenance.
- Vertical motor makes the inspection & service much more convenient.
- Mast and chassis are assembled together, easy for maintenance.
- Low voltage cut off setting protects batteries.

Electric Pallet Truck 2.0t EPT20-20WAI

Distinguishing mark				
1.1	Manufacturer		EP	
1.2	Model designation		EPT20-20WAI	
1.3	Drive unit		Electric	
1.4	Type of operation		pedestrian	
1.5	Rated capacity	Q	kg	2000
	Load capacity/mast lift	Q	kg	650
	Load capacity/support arm lift	Q	kg	2000
1.6	Load center distance	c	mm	600
1.8	Load distance	x	mm	905
1.9	Wheelbase	y	mm	1441
Weight				
2.1	Service weight (include battery)		kg	625
2.2	Axle loading, laden driving side/loading side		kg	910/1715
2.3	Axle loading, unladen driving side/loading side		kg	420/205
Types,Chassis				
3.1	Tyre type driving wheels/loading wheels			PU / PU
3.2	Tyre size, driving wheels (diameter×width)		mm	Φ230×75
3.3	Tyre size, loading wheels (diameter×width)		mm	Φ85×70
3.4	Tyre size, caster wheels (diameter×width)		mm	Φ85×48
3.5	Wheels, number driving, caster/loading (x=drive wheels)		mm	1 x +2 / 4
3.6	Track width, front,driving side	b ₁₀	mm	498
3.7	Track width,rear,loading side	b ₁₁	mm	366
Dimensions				
4.4	Lift	h ₃	mm	540
4.6	Initial lift	h ₅	mm	120
4.9	Height drawbar in driving position min./max.	h ₁₄	mm	715 / 1200
4.15	Lowered height	h ₁₃	mm	90
4.19	Overall length	l ₁	mm	1850
4.20	Length to face of forks	l ₂	mm	694
4.21	Overall width	b ₁ / b ₂	mm	710
4.22	Fork dimensions	s/ e/ l	mm	60/190/1150
4.25	Distance between fork-arms	b ₆	mm	560
4.32	Ground clearance, center of wheelbase	m ₂	mm	30
4.34.1	Aisle width for pallets 1000 × 1200 crossways	Ast	mm	1913
4.34.2	Aisle width for pallets 800 × 1200 lengthways	Ast	mm	2113
4.35	Turning radius	Wa	mm	1615
Performance data				
5.1	Travel speed, laden/ unladen		km/h	5/5.5
5.2	support arm Lifting speed, laden/ unladen		m/ s	0.024/0.025
5.21	mast Lifting speed, laden/ unladen		m/ s	0.071/0.121
5.3	support arm Lowering speed, laden/ unladen		m/ s	0.050/0.032
5.31	mast Lifting speed, laden/ unladen		m/ s	0.13/0.1
5.8	Max. gradeability, laden/unladen			8/16
5.10	Service brake type			Electromagnetic
Electric-engine				
6.1	Drive motor rating S2 60 min		kW	1.27
6.2	Lift motor rating at S3 15%		kW	0.84
6.3	The maximum allowed size battery		mm	650X150X625
6.4	Battery voltage/nominal capacity K5			24/150
6.5	Battery weight		kg	140
Addition data				
8.1	Type of drive control			AC
10.5	Steering type			Mechanical
10.7	Sound pressure level at the driver's ear			74

1.The parameters in the table are of the standard model. For more information, please contact us.
2.The parameters are subject to change without notice.



Option

Options	EPT20-20WAI
Fork length	• 850/1000mm
high capacity battery	• 180AH
Cold storage	•
battery indicator without hour meter	•
water auto-filling system	•
Vertical handler working	•
Special backrest	• 1220mm (48in)/1520mm (60in)